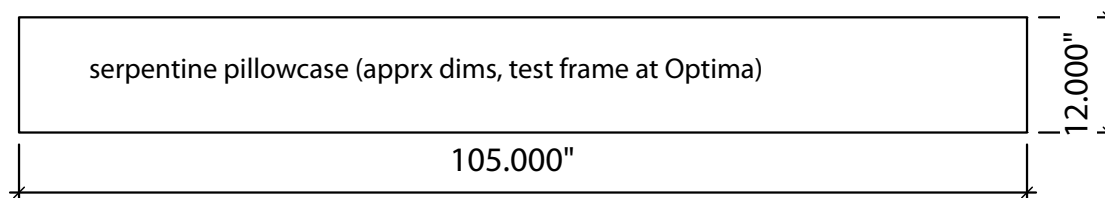
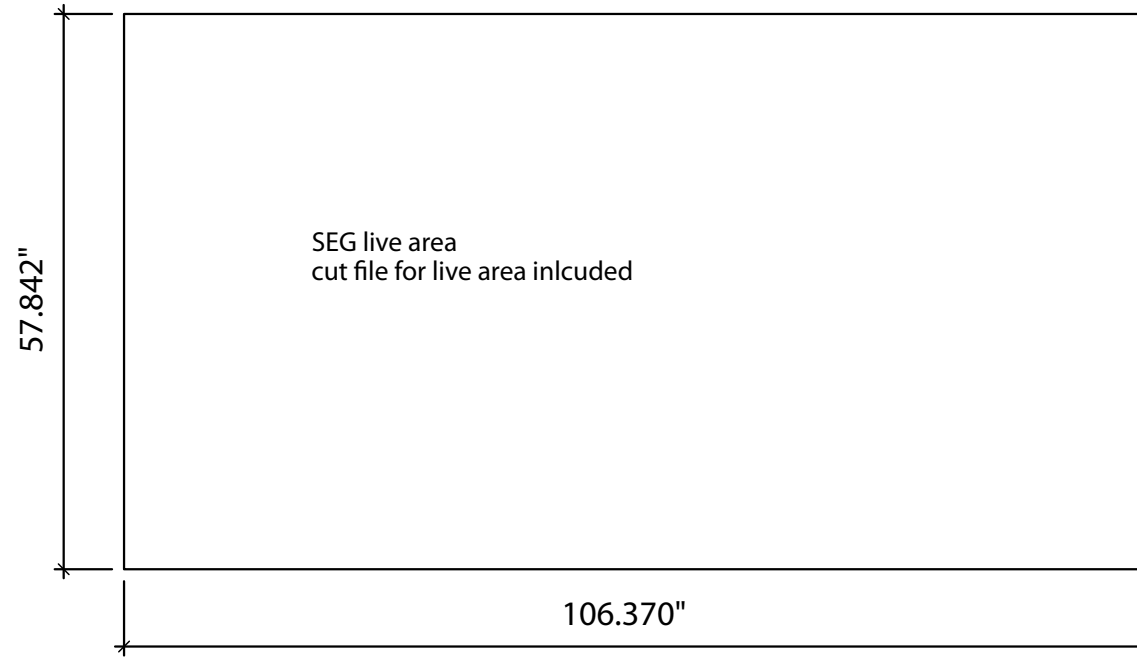
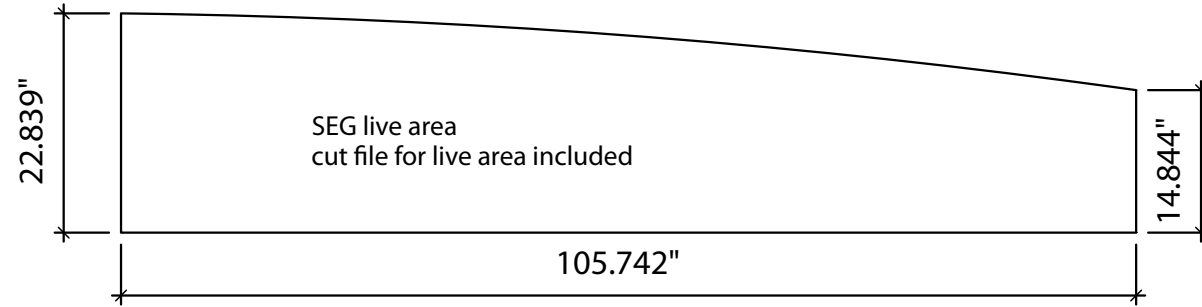
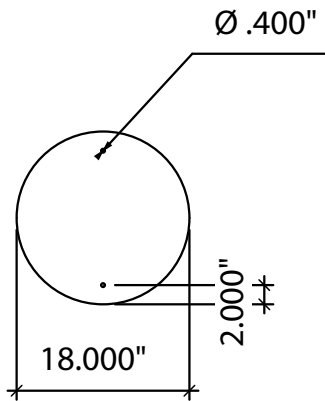
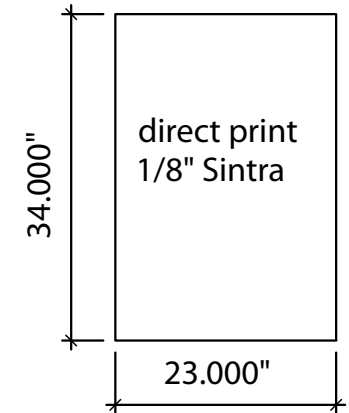




*SEGUE Sunrise - Backwall
Silicon Edge Graphic*



Product Name: VK-1902
Process: HD Dye Sub
Material: Poly Knit 9
Effective Date: 10/18/2012



**NOTE: Graphic files must be @ 150 dpi Finished Size.
DO NOT send Flattened Files. Production can not manipulate
the content, proportion or color of these files.**