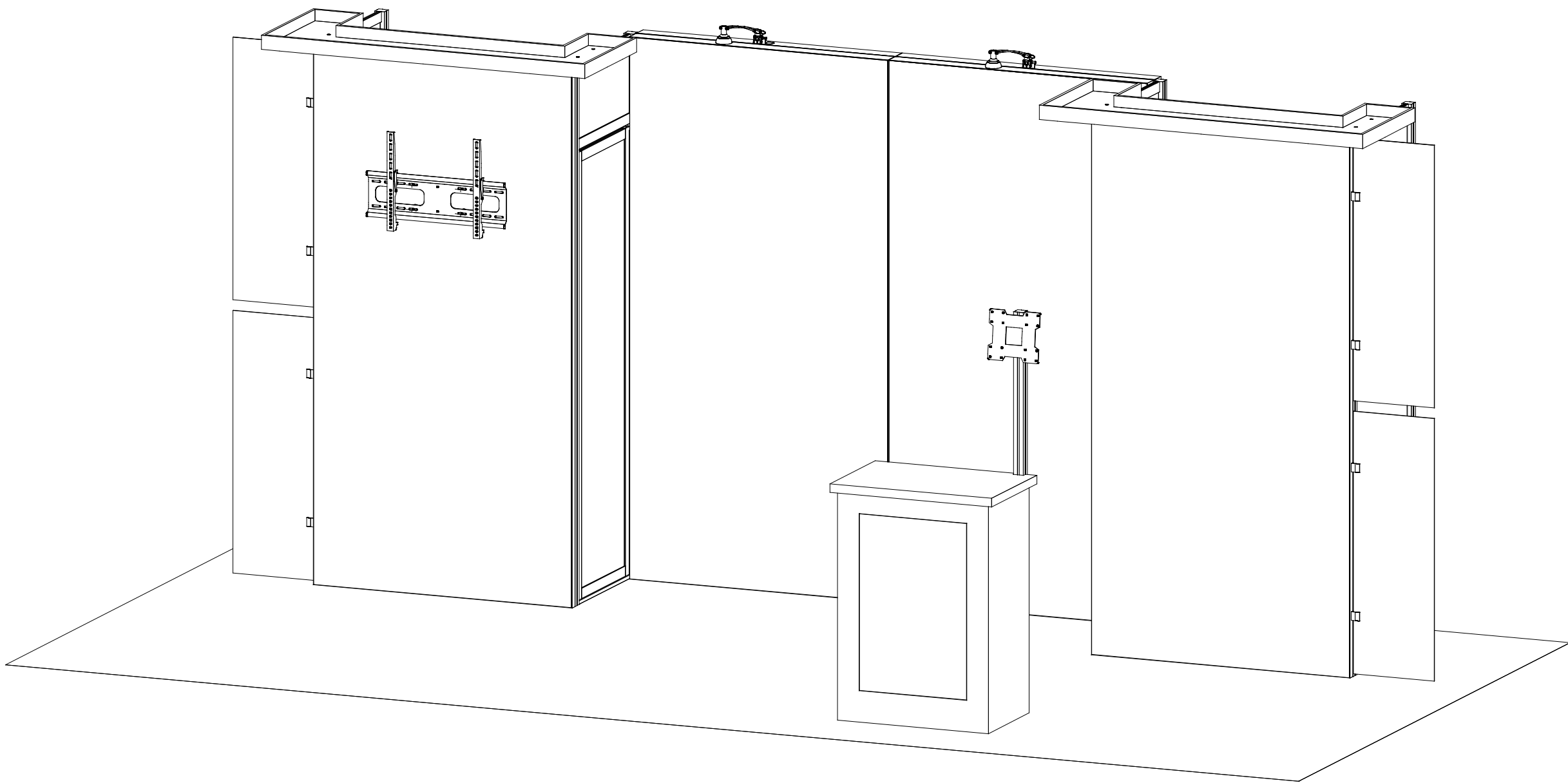
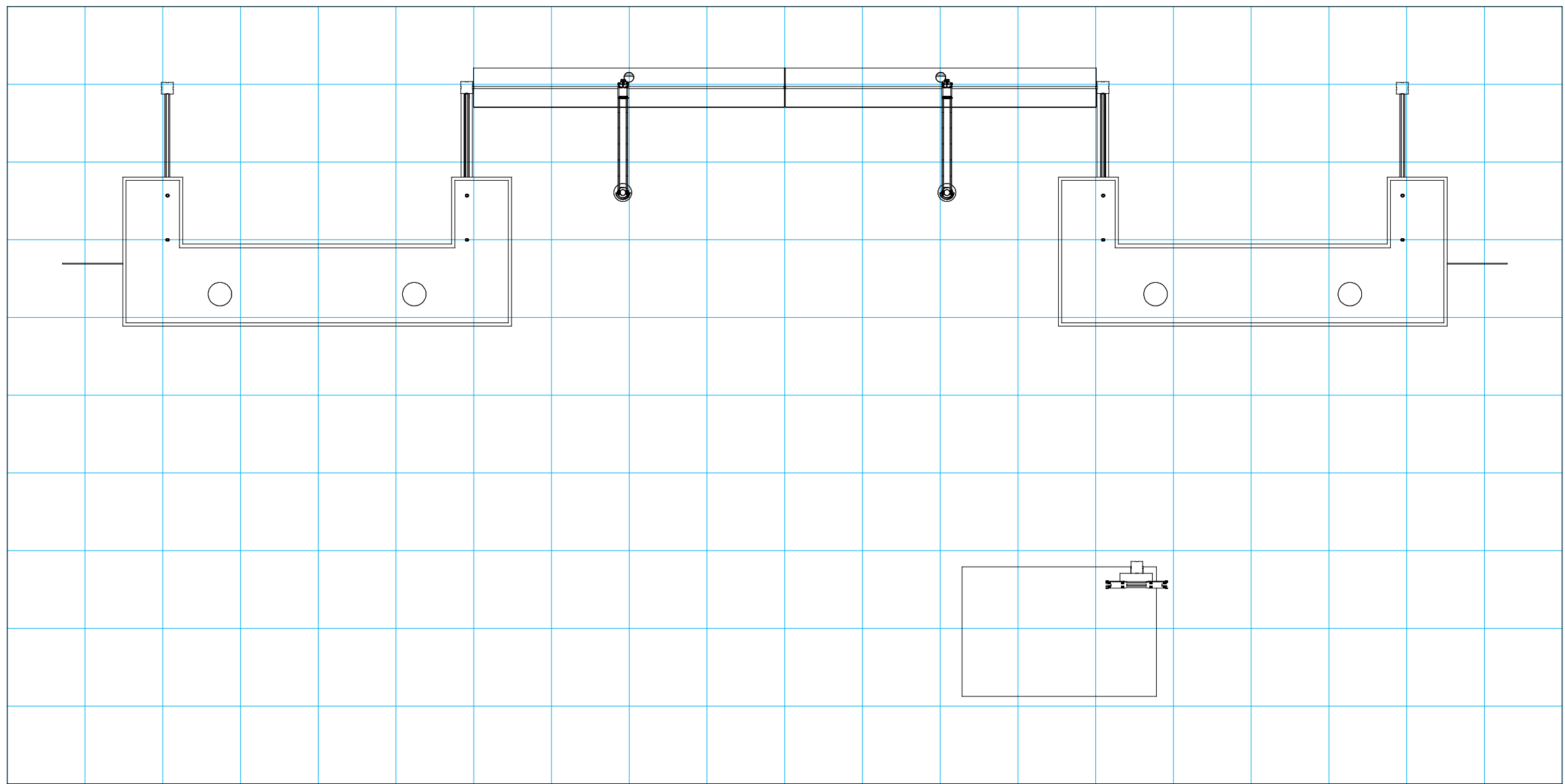



Plan View





 = 1 sq foot

## General Setup Instructions

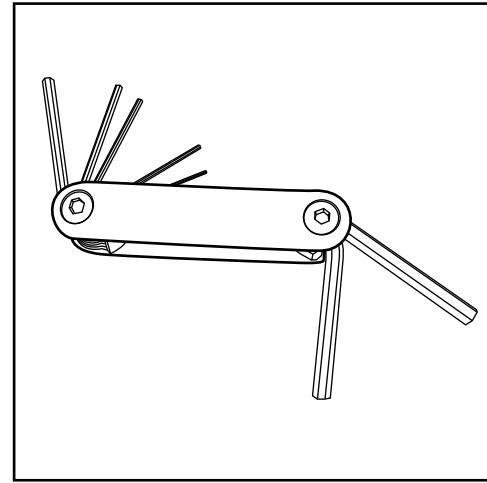
- Read entire setup instruction manual prior to unpacking parts and pieces.
- The setup instructions are created specifically for this configuration.
- Setup instructions are laid out sequentially in steps, including exploded views with detailed explanation for assembly.

## Cleaning & Packing

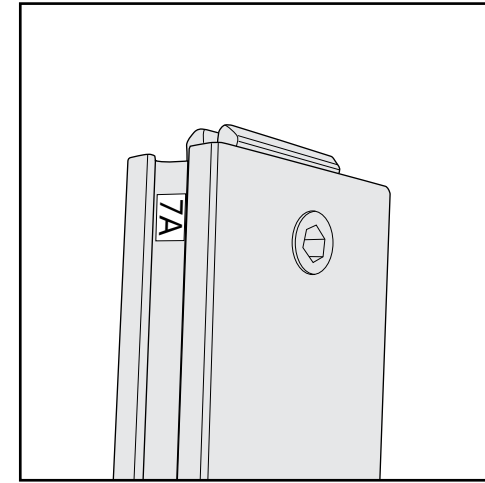
- For Cleaning Metal, Plex, & Laminate Parts: Use a **MILD NON-ABRASIVE** cleanser and soft cloth/paper towel to clean all surfaces.
- Keep exhibit components away from heat and prolonged sun exposure. **Heat and UV exposure will warp and fade components.**
- Retain all provided Packing Materials. All provided packing materials are for ease of repacking & component protection.

## Disassembly

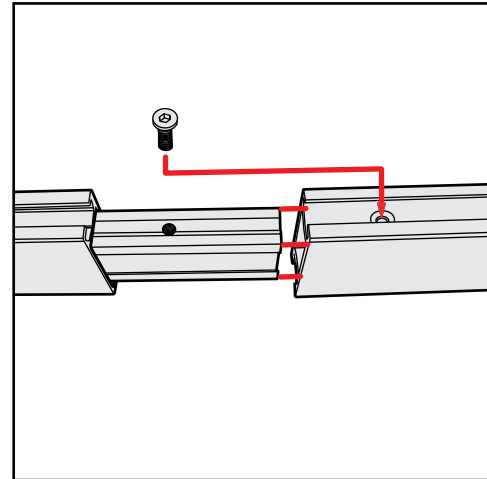
- For loss prevention, tighten all set screws and locks during disassembly.



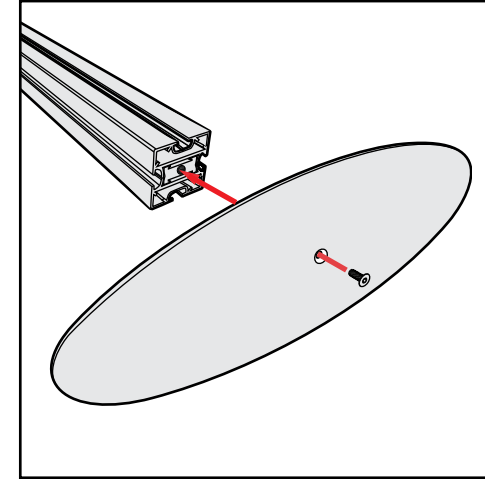
Hex Tool - Essential for Assembly



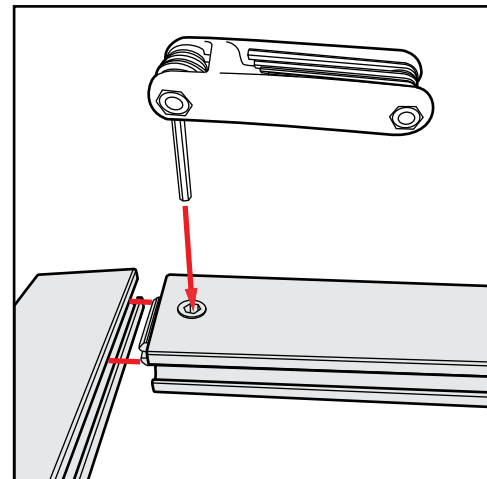
Part Identification - Numbering



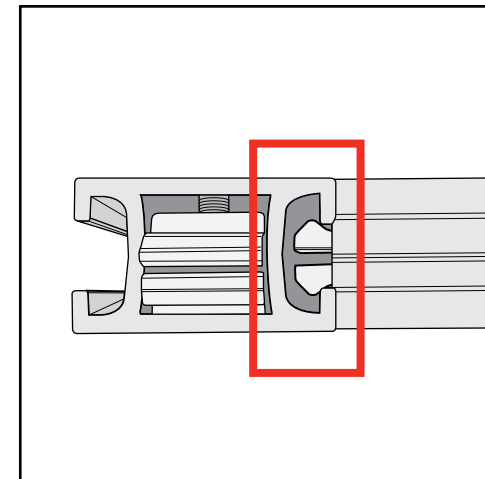
Spline Connection



Base Plate & Extrusion Connection



Extrusion & Lock Connection



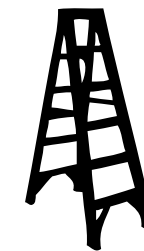
Engaged Lock



# WARNING



DO NOT USE POWER TOOLS



LADDERS OR LIFTS  
MAY BE REQUIRED

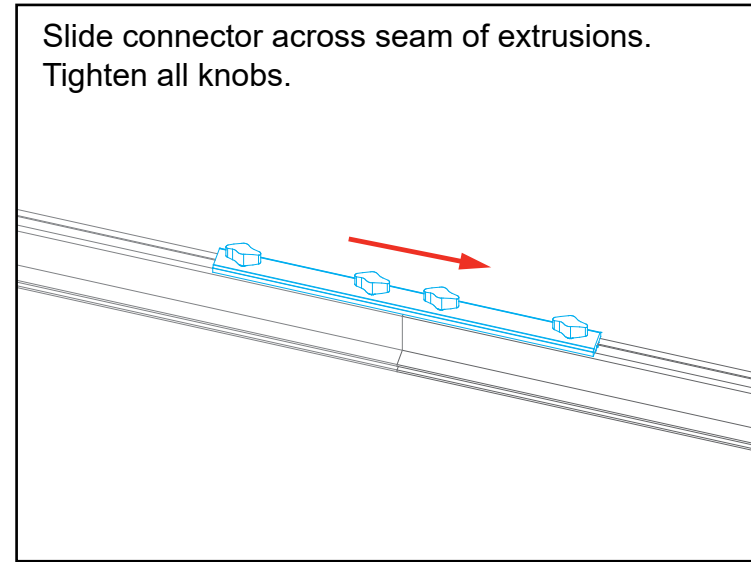
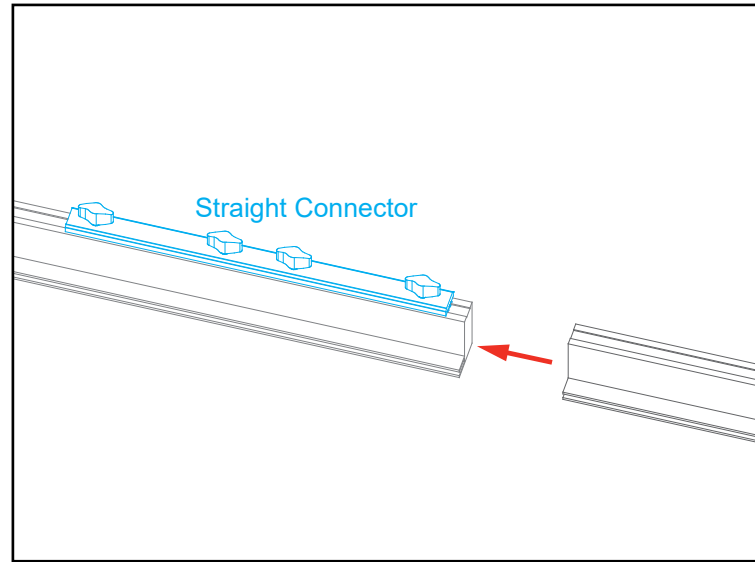


ALL CONNECTIONS MUST  
BE TIGHTLY SECURED

## Straight Connection

When assembling frame, first attach all **straight connectors**, then attach **corner connectors**.

- 1) Place extrusions end-to-end.
- 2) Loosen all knobs, then slide **straight connector** across the seam of extrusions.
- 3) Tighten all knobs to secure connection.



Slide connector across seam of extrusions.  
Tighten all knobs.

## Disassembly

- 1) Loosen all knobs.
- 2) Slide connectors off of one extrusion.
- 3) Tighten knobs to prevent loss during packing & shipping.

Keep straight connectors in groove of extrusion. Do not remove connectors during disassembly.

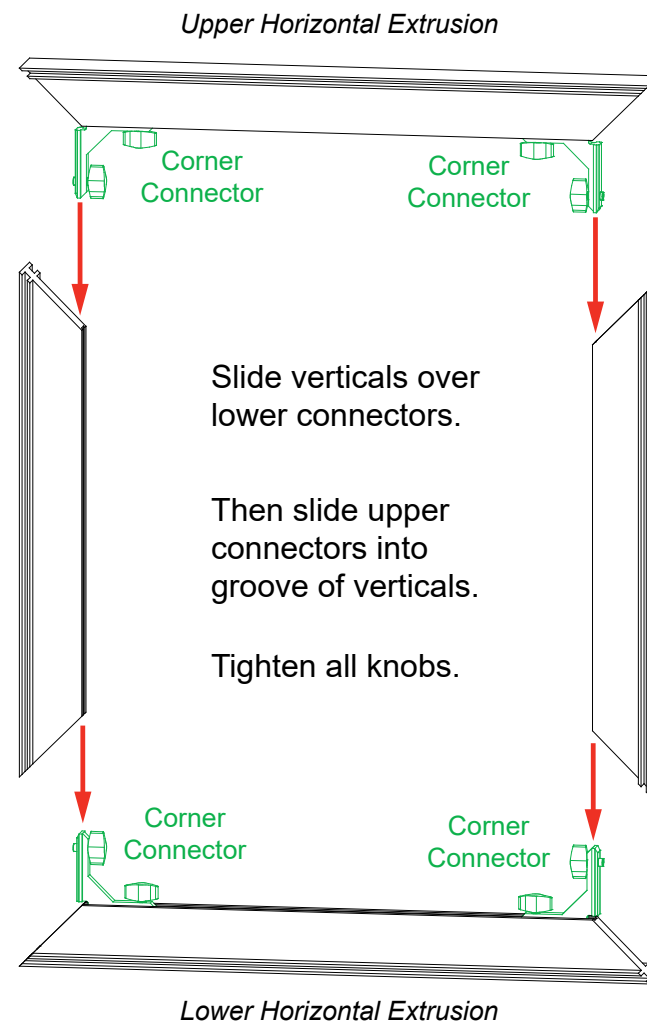
All knobs must be tightened securely to ensure a proper connection.

## Corner Connection

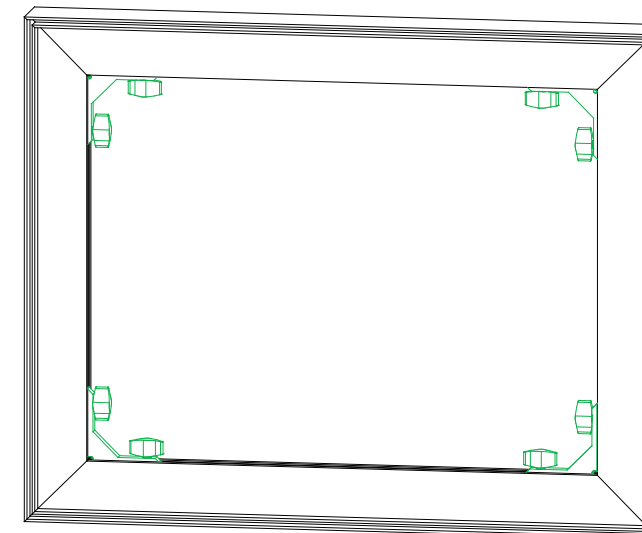
- 1) Loosen knobs, then slide vertical extrusions onto **corner connectors** of **lower** horizontal extrusion.
- 2) Slide **corner connectors** of **upper** horizontal extrusion into grooves of vertical extrusions.
- 3) Tighten all knobs to secure connection.

## Disassembly

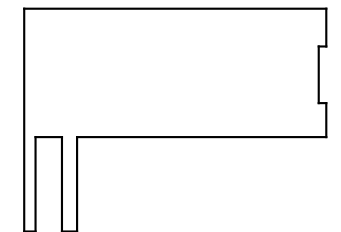
- 1) Loosen knobs on vertical extrusions.
- 2) Slide the vertical extrusions off of **corner connectors** on lower and upper horizontal extrusions.



Adjust connectors if necessary to prevent gaps in connection.



COMPLETED ASSEMBLY



TSP46 Profile

All knobs must be tightened securely to ensure a proper connection.

# euro lt | HYBRIDS

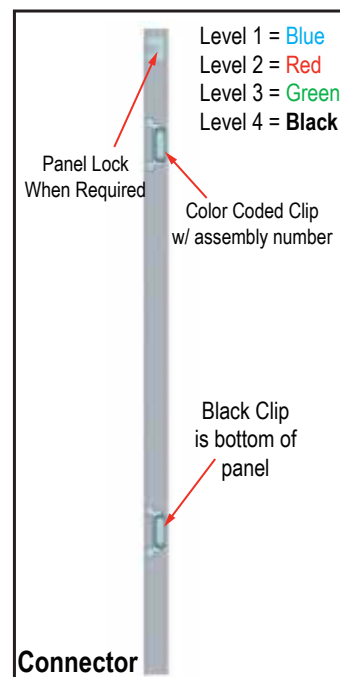
## Using Your Setup Instructions

The Euro LT Hybrids Setup Instructions are created specifically for your configuration. They are laid out sequentially in levels, including exploded views, and a logical series of detailed steps to assemble the main structure and components. We encourage you to study the instructions **before** attempting to assemble your exhibit.

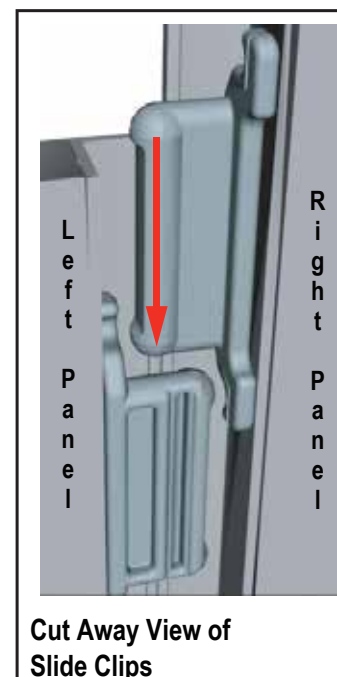
Each page reminds you to tighten the setscrews after disassembling your exhibit to prevent loss of the locks and setscrews (see below in RED). This is VERY IMPORTANT.

## Cleaning and Packing Your Display

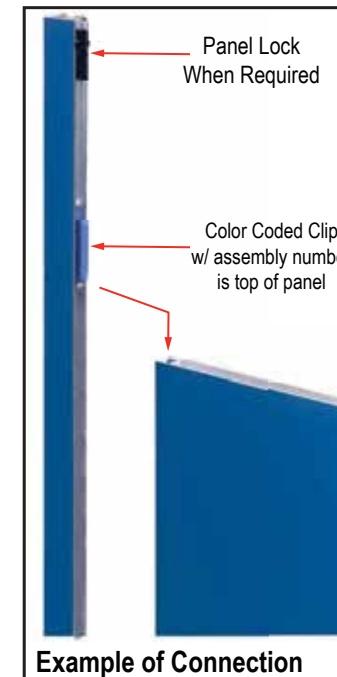
- 1) Use care when cleaning aluminum extrusion or acrylic inserts. Use only non-abrasive cleaners.
- 2) When cleaning laminate inserts, countertops, or panels use mild cleansers and a soft material such as cotton.
- 3) Keep all display components away from extreme heat and long exposure to sunlight to avoid warping and fading.
- 4) Retain all packing material. It will make re-packing much easier and will reduce the likelihood of shipping damage.



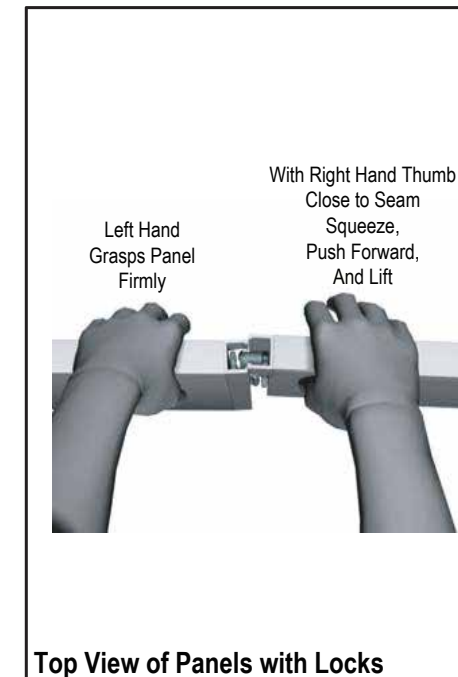
Each component has 2 clips, the lower clip is ALWAYS black. The top clip is color coded to distinguish which level. The color coded clip also contains the numbered label.



Components connect together by aligning them and sliding downward connecting clips together.



Configurations are assembled from left to right, usually starting with #1 and following the numbered sequence.



The first level of components contain panel locks that are located at the top of the panel for extra stability and seamless connection. When disassembling panels twist top connection slightly and lift right panel upward.

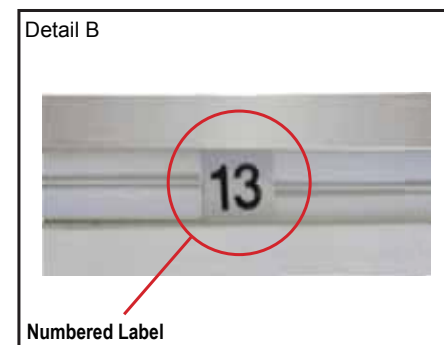
## General Setup Instructions for Extrusion System



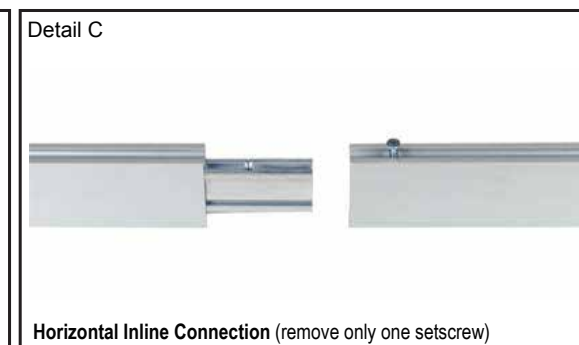
Most exhibits can be assembled with the supplied Hex Key Tool. Occasionally, a flat head screwdriver may be required.



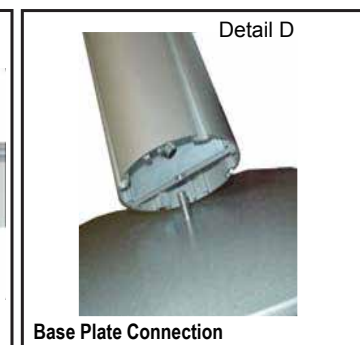
Most horizontal extrusion connections have a patented expandable lock. This lock inserts into the groove of an opposing extrusion. Tightening the lock with the Hex Key Tool expands the lock and creates a strong positive connection.



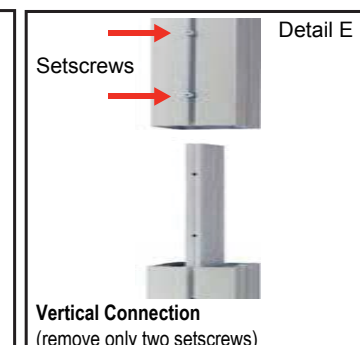
Each extrusion contains a numbered label which corresponds with setup instructions. The label is located within a groove of the extrusion (when possible). With extrusion components the labels contain Black numbers unless otherwise specified.



Remove only (1) setscrew when disassembling. Replace setscrew in extrusion after assembling it. Before packing, replace setscrew in extrusion to avoid losing it.



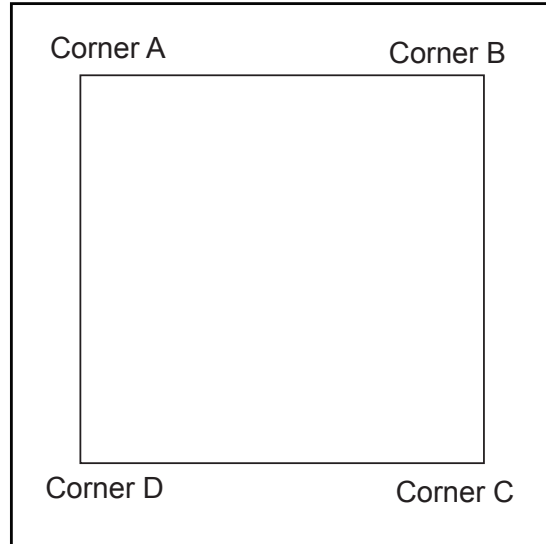
Attach base plate to round or square vertical extrusion using the bolt provided. Be careful not to strip the threads.



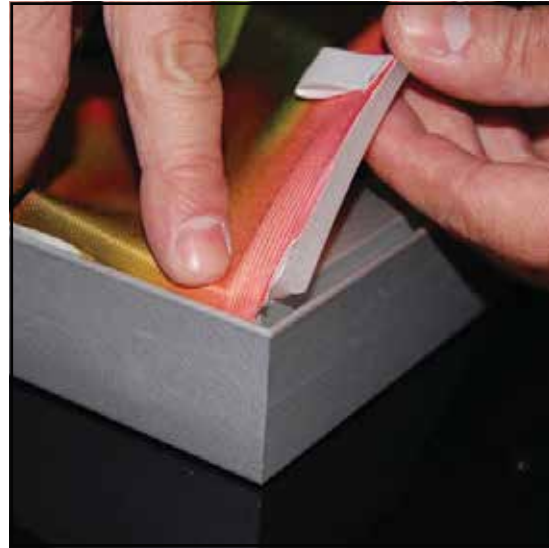
When vertical extrusions are packed in portable cases rather than crates or tubs, they must be broken down into smaller sections which then require assembly.

Remove only (2) setscrews when disassembling. Replace setscrews in extrusion after assembling it. Before packing, replace setscrews in extrusion to avoid losing them.





It is important to first insert graphic into each alternate corner then to the sides of the frame. If this is not done, graphic will not fit into the frame correctly.



**Step 1**  
Insert corner A. Turn edge of graphic so silicon welt is perpendicular to face of graphic. Insert narrow side of welt with fabric to outside into the channel. Repeat for other side of this corner.

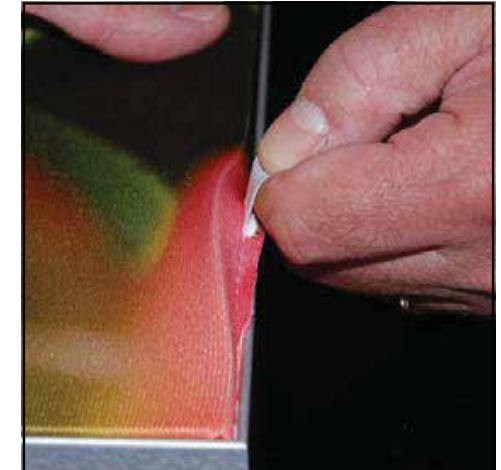


**Step 2**  
Repeat Step 1 for opposite corner C, then insert corner B, followed by corner D, to complete the installation of the corners.



**Step 3**  
Once all corners are inserted, press one silicon edge into channel from corners and work toward the center. Make sure welt is fully inserted into channel. Continue until all sides are done. Smooth out edges of graphic.

### Graphic Removal



To remove the graphic from the frame, locate the fabric pull tab. Gently pull up on the tab to remove the fabric.

CRATE PACKING

Item	Qty.	Description
1A	1	95”h S44 Vertical Extrusion
2A	1	95”h S44 Vertical Extrusion
4C	1	95”h TSP46 Vertical Extrusion
5	1	95”h TSP46 Vertical Extrusion
6	1	48”w TSP46 Horizontal Extrusion
6A	1	48”w TSP46 Horizontal Extrusion
7	1	95”h S44 Vertical Extrusion w/ Door Stop
8	1	95”h S44 Vertical Extrusion
9	4	24”w Z45 Horizontal Extrusion
10	1	44.417”w Z140 Horizontal Extrusion
11	1	24”w Door Threshold

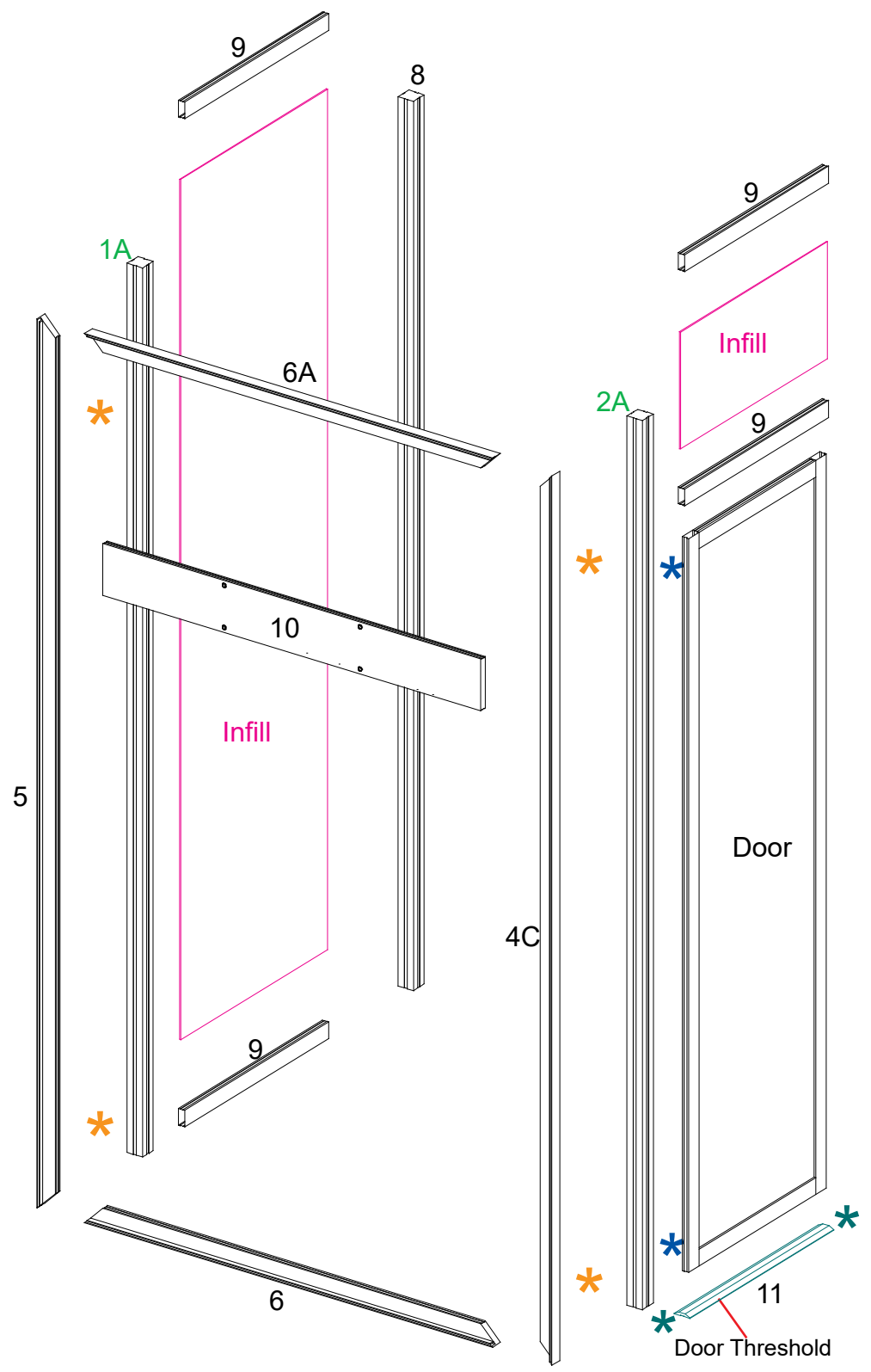
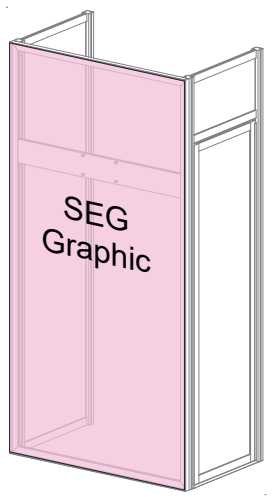
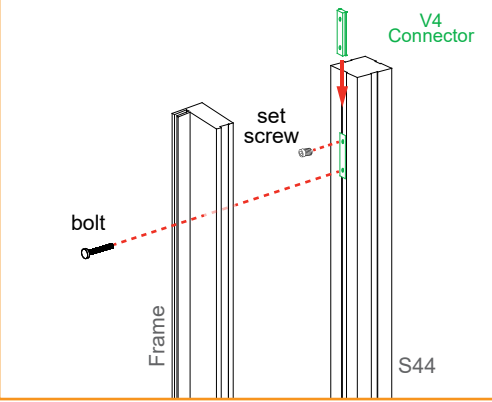
Steps:  
Refer to the TSP46 Frame Assembly general information page.

- 1) Assemble verticals [4C,5] between horizontals [6,6A] using corner connectors.
- 2) Attach horizontal [10] between verticals [4C,5].
- 3) Connect verticals [4C,5] to verticals [1A,2A] using bolts & V4 Connectors.  
See **V4 Connector** detail.
- 4) Attach Door Threshold [11] between verticals [2A,7].  
See **Door Threshold Attachment** detail.
- 5) Connect horizontals [9] between verticals [1A,8], [2A,7], inserting **Infills**.
- 6) Install Door between verticals [2A,7]. See **Door Attachment** detail.
- 7) Apply SEG graphic to front frame assembly. Refer to the **SEG Installation** general information page.

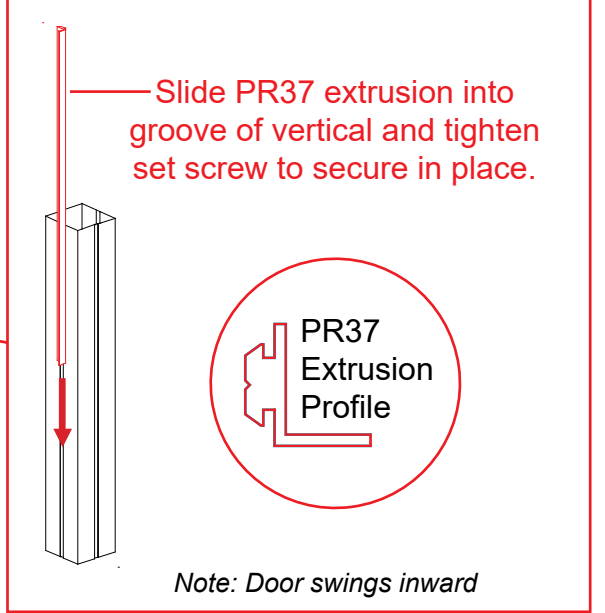
**\* V4 Connector**

Slide V4 connector into groove of vertical extrusion; tighten set screw on V4 to secure in place.

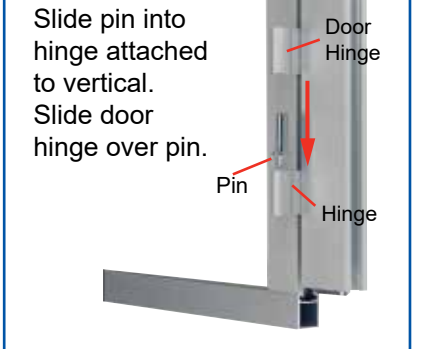
Connect frame extrusion to V4 connector using bolt.



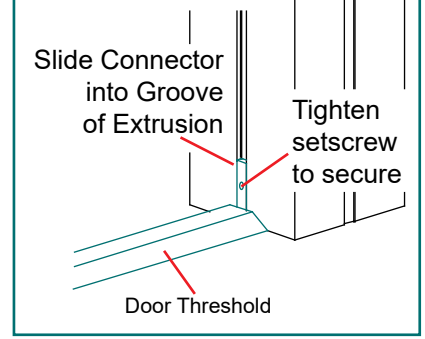
**Door Stopper to Vertical Attachment**



**\* Door Attachment**



**\* Door Threshold Attachment**



Note: Closet Door opens in



Item	Qty.	Description
A	1	60"w x 23"d x 2.5"h Ceiling Panel

- Steps:
- 1) Attach Ceiling Panel [A] to top of closet assembly, using bolts. See **Canopy Attachment** detail.
  - 2) Connect power to Puck Lights in ceiling. See **Puck Light Connection** detail.
  - 3) Install Monitor Mount to horizontal [10]. See **Monitor Mount Attachment** detail.
  - 4) Attach Wings to vertical [1A] using A10 clamps. See **Wing Attachment** detail.

**\* Monitor Mount Attachment**

Attach Stand-off Barrels to horizontal extrusion using wing nuts. Install Monitor Mount to Stand-off Barrels using screw caps.

*Note: Monitor mount installs over SEG graphic.*

**\* Wing Attachment**

- 1) Slide A10 connector into groove of extrusion.
- 2) Tighten set screw to secure A10 to extrusion.
- 3) Insert Wing into Clamp.
- 4) Tighten knob to secure wing in place.

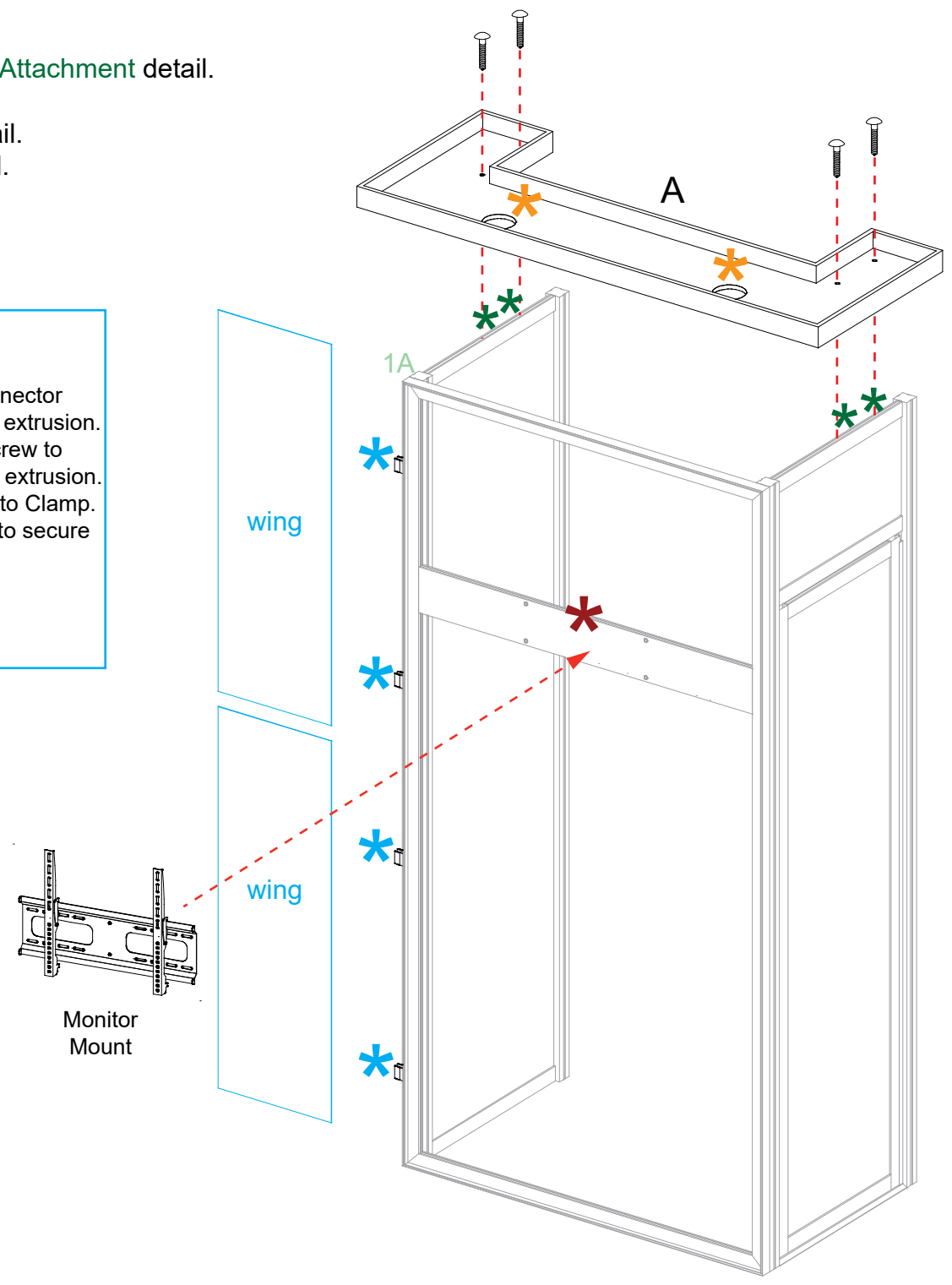
**\* Canopy Attachment**

Slide V4 connector into groove of horizontal extrusion; tighten set screw to secure V4 in place.

Insert screw through hole of ceiling into threaded hole of V4 connector; tighten screw to secure.

**\* Puck Light Connection**

Connect transformer to puck lights, then attach transformer to power source.



Item	Qty.	Description
1/1A	1/1	48" w CEI152 Horizontal Extrusion
2/2A	1/1	95" h CEI152 Vertical Extrusion
--	1	Base Plate w/ foot
--	1	88.5" h V31 Connector

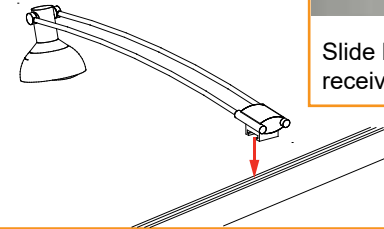
**Steps:**

Refer to the CEI152 Frame Assembly general information page.

- 1) Assemble verticals [2,2A] between horizontals [1,1A] using corner connectors.
- 2) Attach vertical [2A] to closet vertical [7] using V31 connector. See V31 Connection detail.
- 3) Connect light to top of SEG frames. See Light Attachment detail.
- 4) Attach PR63 Conduit where shown for wire management. See PR63 Attachment detail.
- 5) Apply SEG graphics to frame assembly. Refer to the SEG Installation general information page.

**\* Light Attachment**

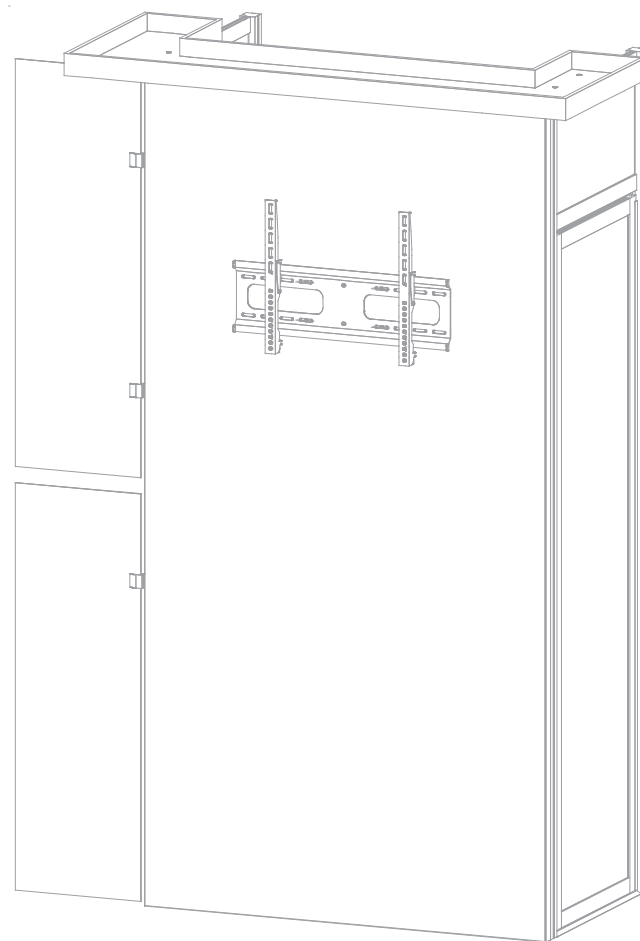
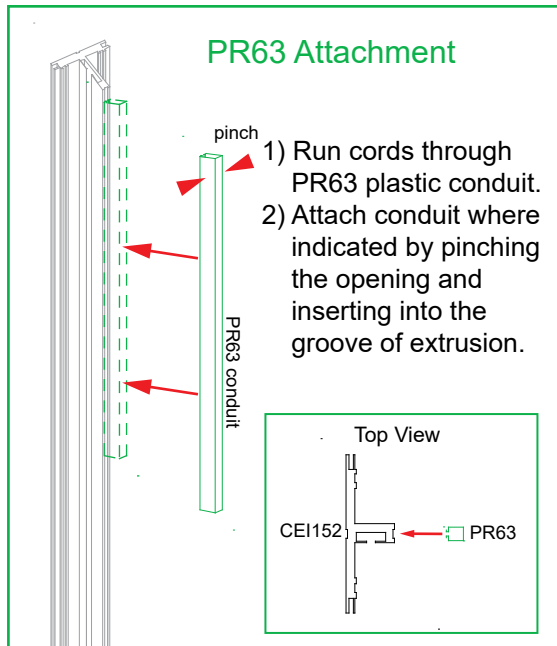
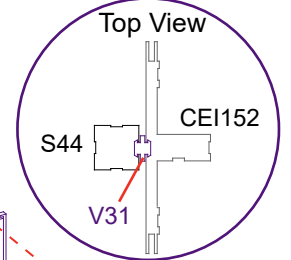
Lock Clip into Groove of Horizontal Extrusion, then slide Light onto Clip.



**\* V31 Connection**

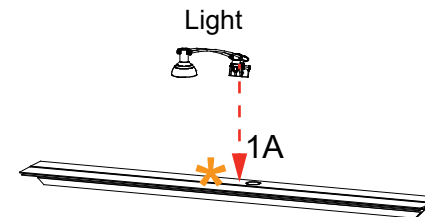
Slide V31 connector into channels of vertical extrusions.

Tighten set screws to secure.



7

\* 2A



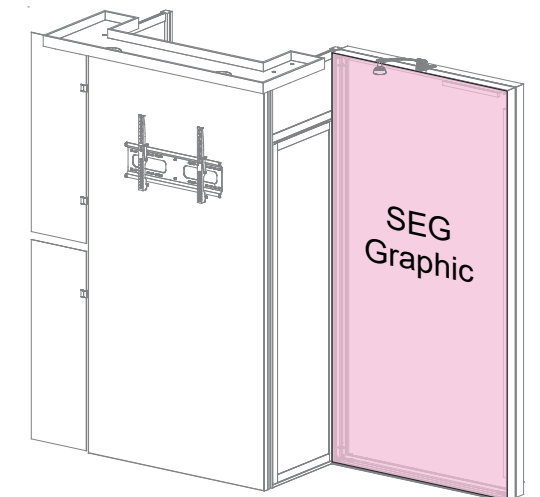
15" PR63

85" PR63

2



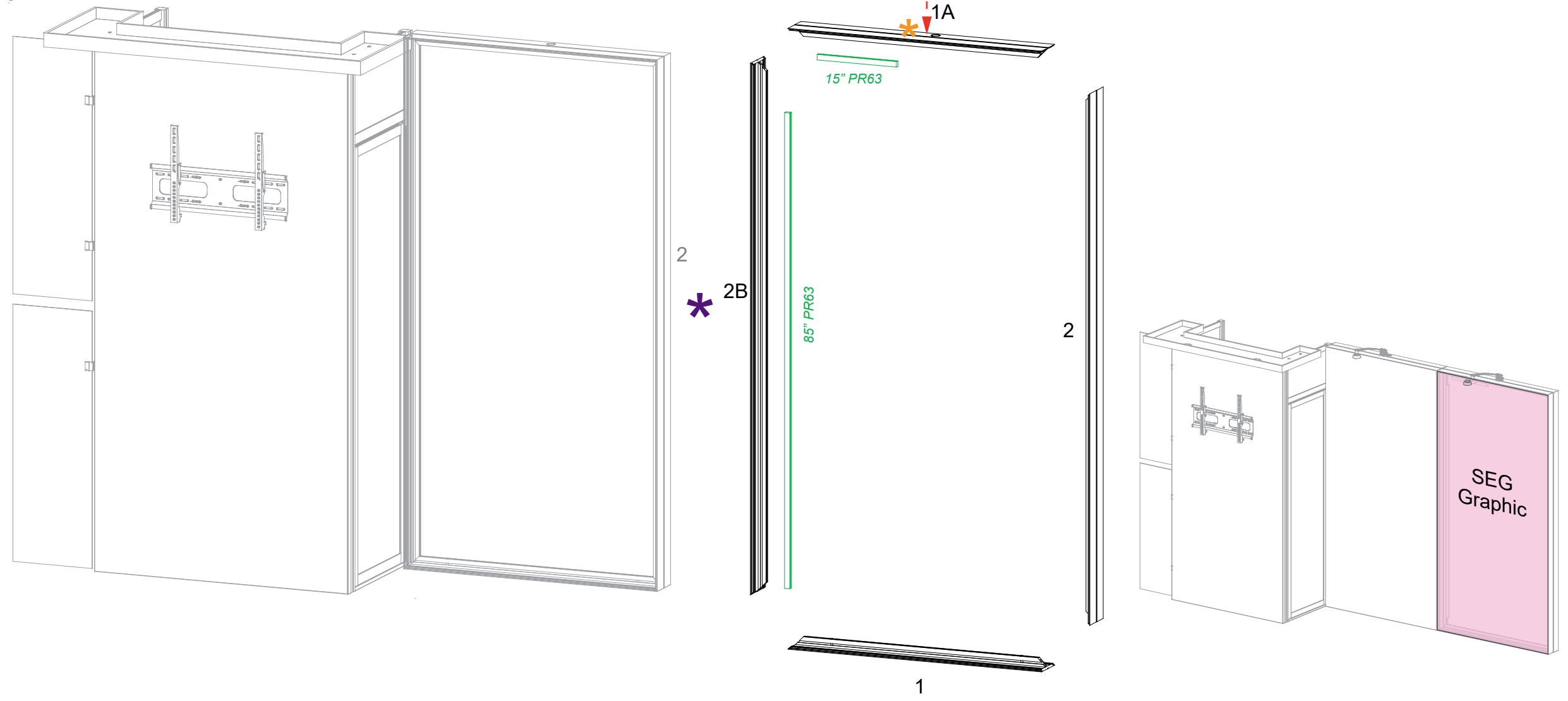
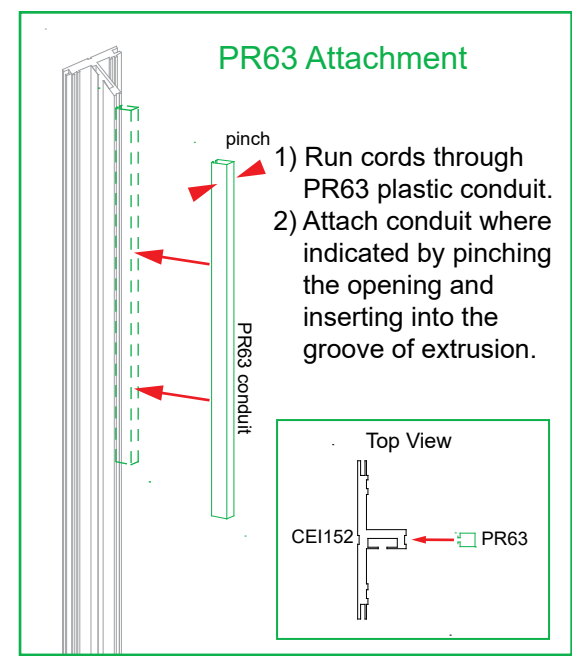
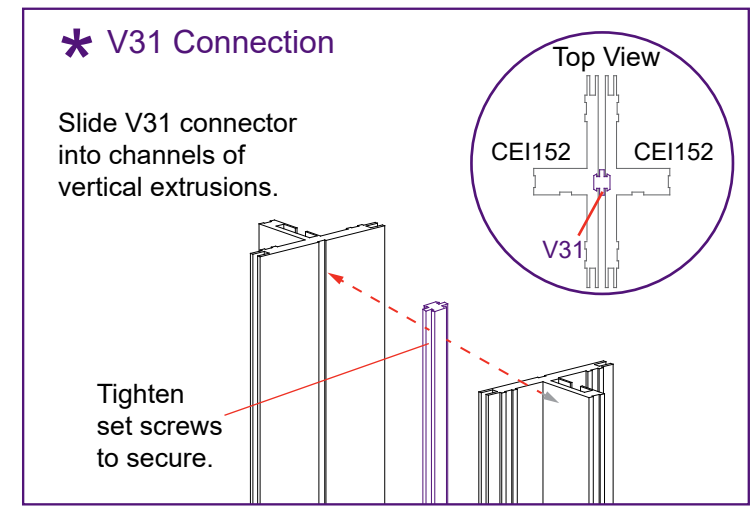
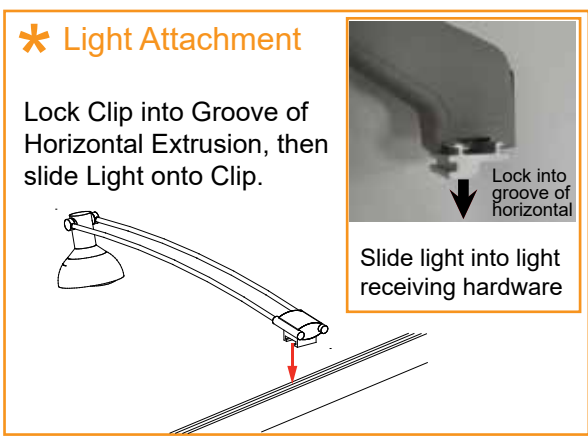
1



Item	Qty.	Description
1/1A	1/1	48" w CEI152 Horizontal Extrusion
2/2B	1/1	95" h CEI152 Vertical Extrusion
--	1	Base Plate w/ foot
--	1	88.5" h V31 Connector

Steps:  
 Refer to the CEI152 Frame Assembly general information page.

- 1) Assemble verticals [2,2B] between horizontals [1,1A] using corner connectors.
- 2) Attach vertical [2B] to adjacent frame vertical [2] using V31 connector.  
 See **V31 Connection** detail.
- 3) Connect lights to top of SEG frames. See **Light Attachment** detail.
- 4) Attach PR63 Conduit where shown for wire management.  
 See **PR63 Attachment** detail.
- 5) Apply SEG graphics to frame assembly. Refer to the SEG Installation general information page.



Item	Qty.	Description
2A	1	95”h S44 Vertical Extrusion
3A	1	95”h S44 Vertical Extrusion
4	1	95”h TSP46 Vertical Extrusion
5	1	95”h TSP46 Vertical Extrusion
6	1	48”w TSP46 Horizontal Extrusion
6A	1	48”w TSP46 Horizontal Extrusion
7	1	95”h S44 Vertical Extrusion w/ Door Stop
8	1	95”h S44 Vertical Extrusion
9	4	24”w Z45 Horizontal Extrusion
11	1	24”w Door Threshold
--	1	88.5”h V31 Connector

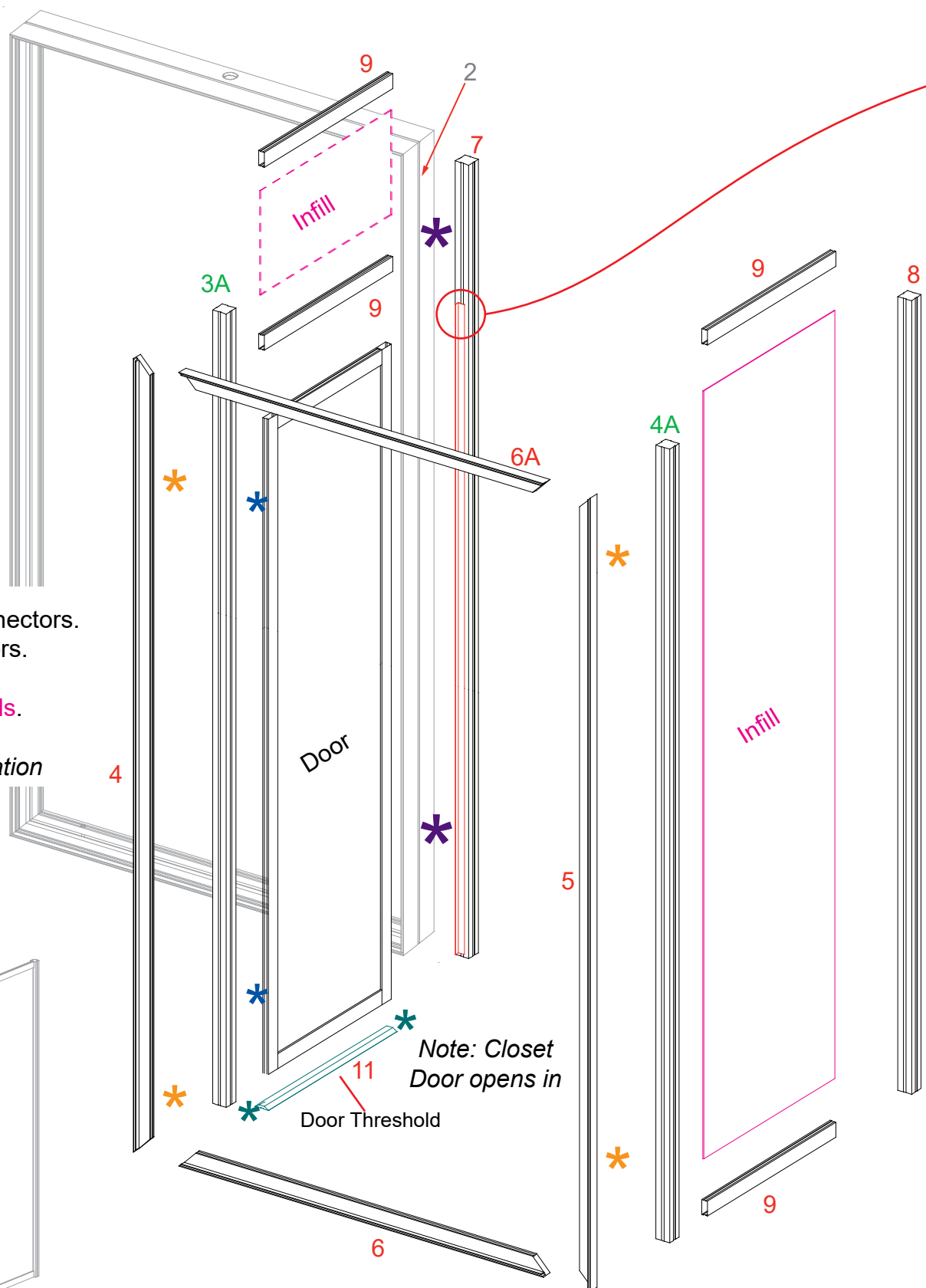
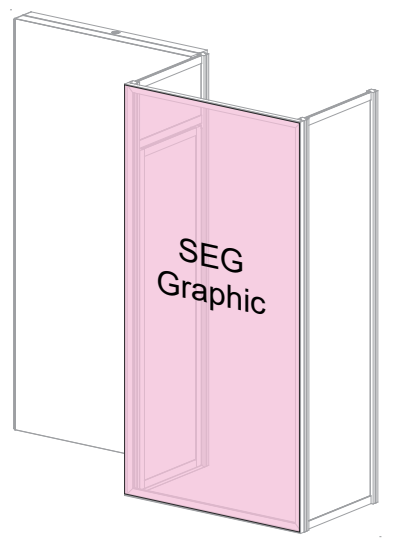
**Steps:**  
Refer to the TSP46 Frame Assembly general information page.

- 1) Attach Door Threshold [11] between verticals [7,3A]. See [Door Threshold Attachment](#) detail.
- 2) Connect side frame vertical [2] to vertical [7] using using V31 connector. See [V31 Connection](#) detail.
- 3) Assemble verticals [4,5] between horizontals [6,6A] using corner connectors.
- 4) Connect verticals [4,5] to verticals [3A,4A] using bolts & V4 Connectors. See [V4 Connector](#) detail.
- 5) Connect horizontals [9] between verticals [7,3A], [8,4A], inserting **Infills**.
- 6) Install Door between verticals [7,3A]. See [Door Attachment](#) detail.
- 7) Apply SEG graphic to front frame assembly. Refer to the [SEG Installation general information page](#).

**\* V4 Connector**

Slide V4 connector into groove of vertical extrusion; tighten set screw on V4 to secure in place.

Connect frame extrusion to V4 connector using bolt.



**Door Stopper to Vertical Attachment**

Slide PR37 extrusion into groove of vertical and tighten set screw to secure in place.

PR37 Extrusion Profile

Note: Door swings inward

**\* Door Threshold Attachment**

Slide Connector into Groove of Extrusion. Tighten setscrew to secure.

Door Threshold

**\* Door Attachment**

Slide pin into hinge attached to vertical. Slide door hinge over pin.

Door Hinge

Pin

Hinge

**\* V31 Connection**

Slide V31 connector into channels of vertical extrusions. Tighten set screws to secure.

Top View

S44

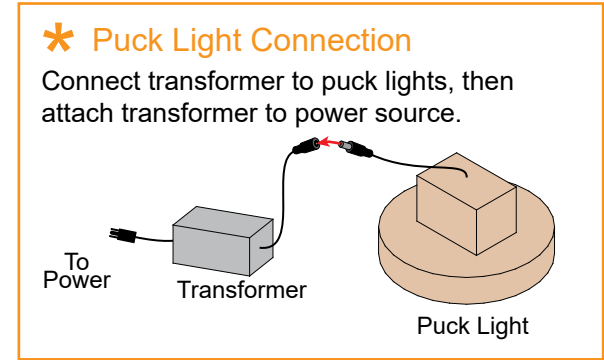
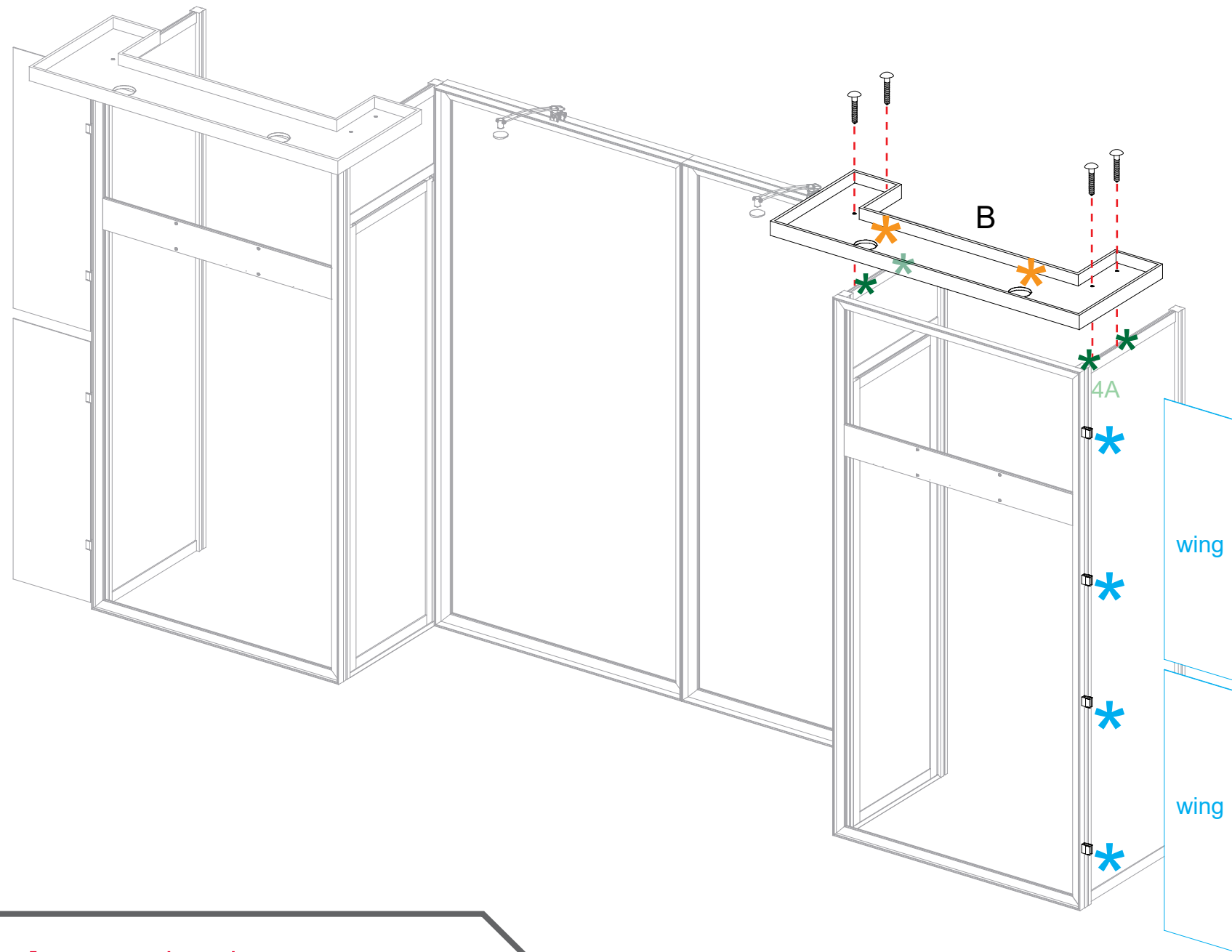
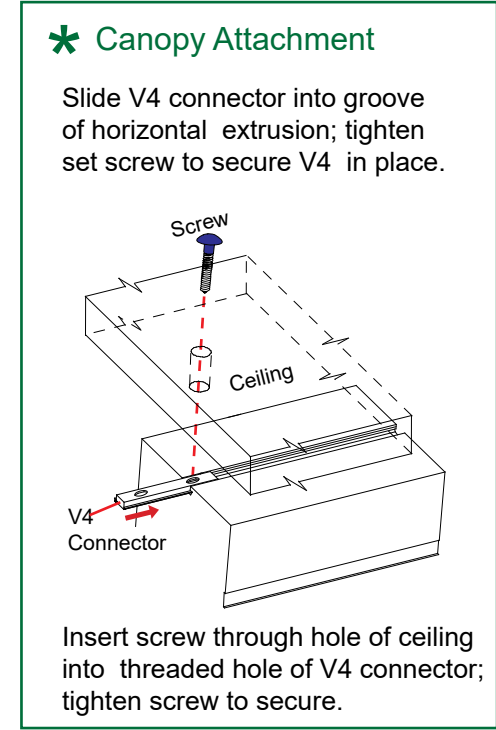
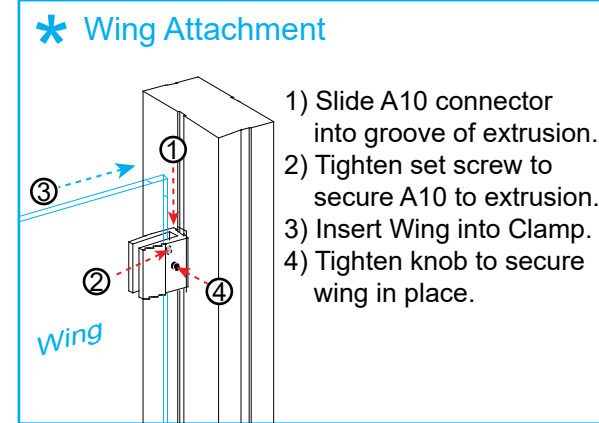
CEI152

V31

Item	Qty.	Description
B	1	60"w x 23"d x 2.5"h Ceiling Panel

**Steps:**

- 1) Attach Ceiling Panel [B] to top of closet assembly, using bolts. See **Canopy Attachment** detail.
- 2) Connect power to Puck Lights in ceiling. See **Puck Light Connection** detail.
- 3) Attach Wings to vertical [4A] using A10 clamps. See **Wing Attachment** detail.





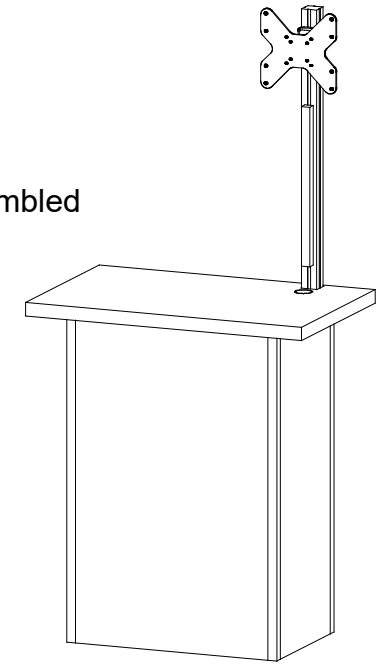
Item	Qty.	Description
1	1	23" w x 38" h LT Panel
2	1	38" h LT 90° Corner Connector
3	1	14.125" w x 38" h LT Panel
4	1	38" h LT 90° Corner Connector
5	1	23" w x 38" h LT Panel w/ Door
6	1	38" h LT 90° Corner Connector
7	1	14.125" w x 38" h LT Panel
8	1	38" h LT 90° Corner Connector
1,1A	1,1	35" S44 Vertical Extrusion

**Steps:**

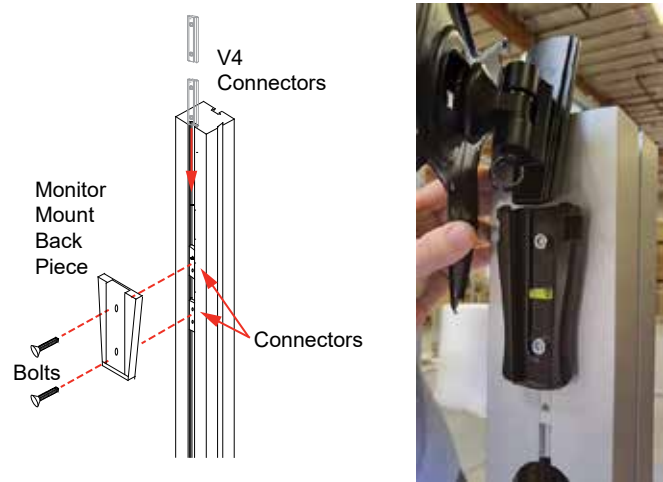
Refer to the LT Panel Assembly general information page.

- 1) Assemble panels & connectors [1] through [10] in numerical order as shown.
- 2) Connect verticals [1-1A] together. See [S44 Connection](#) detail.
- 3) Attach vertical assembly [1/1A] to panel [5] using screw caps.
- 4) Affix [Shelf Supports](#) to inside of counter assembly; place [Shelf](#) onto supports.
- 5) Slide Counter Top over vertical assembly [1/1A] & secure to top of counter assembly. See [Counter Top Attachment](#) detail.
- 6) Install Monitor Mount to vertical [1/1A]. See [Monitor Mount Attachment](#) detail.

When assembled



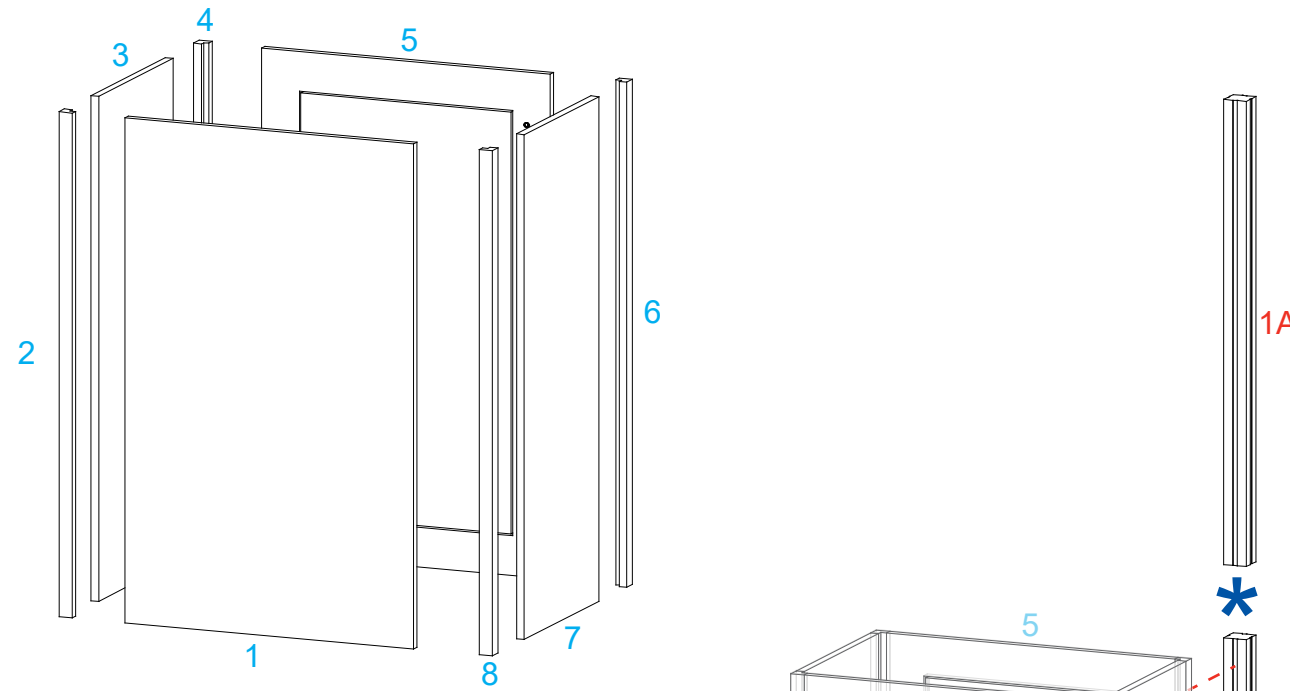
**\* Monitor Mount Attachment**



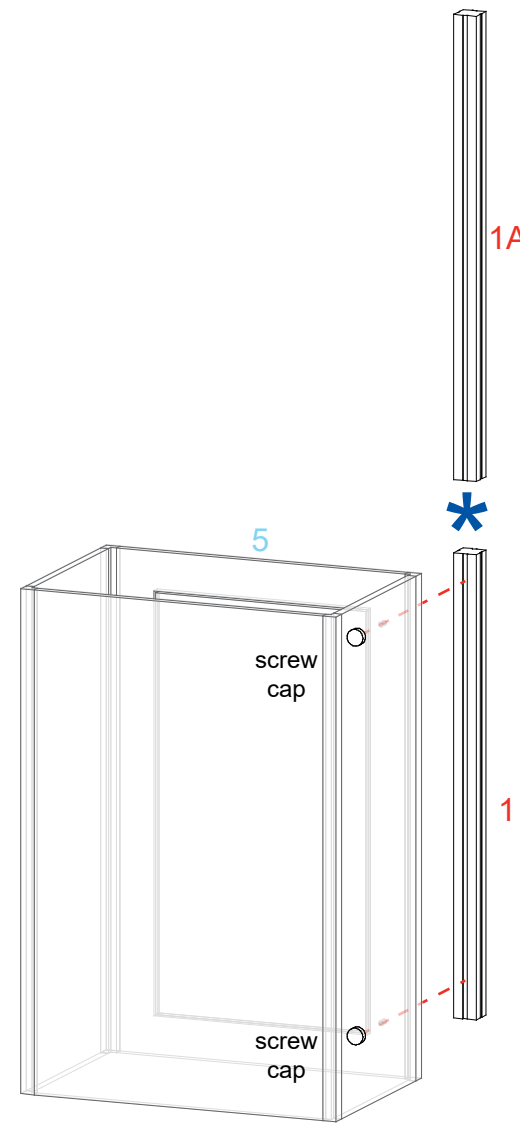
Slide V4 Connectors into groove of Extrusion. Tighten Set Screws to secure connectors in place.

Attach Monitor Mount back piece to Extrusion, using bolts.

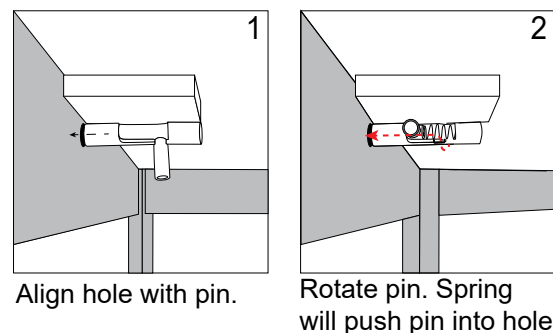
Then slide monitor mount into back piece.



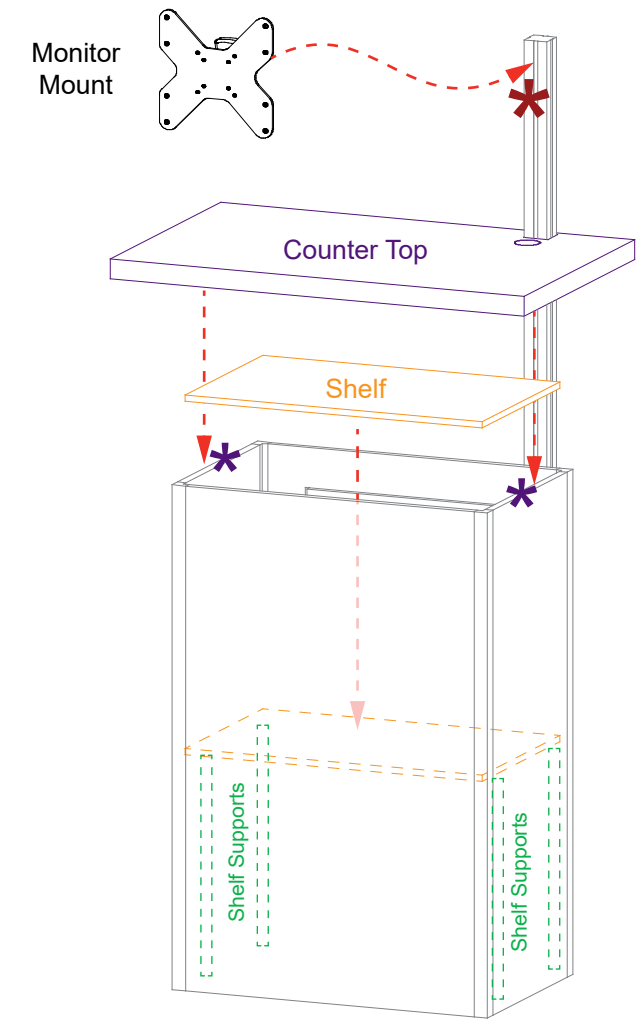
FRONT VIEW



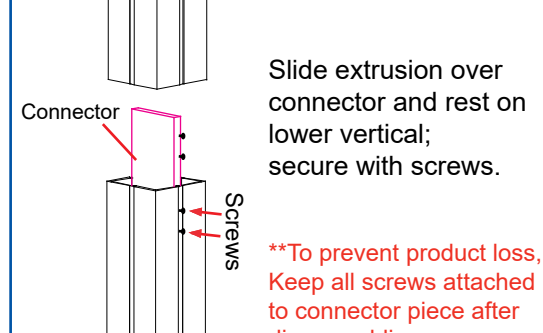
**\* Counter Top Attachment**



Align hole with pin. Rotate pin. Spring will push pin into hole.



**\* S44 Connection**



Slide extrusion over connector and rest on lower vertical; secure with screws.

**\*\*To prevent product loss, Keep all screws attached to connector piece after disassembling**